

DEVICE	DESCRIPTION	PROJ. AREA (FT <sup>2</sup> )	WEIGHT (LBS)
A	12"-3 SEC. SIGNAL WITH BACKPLATES	8.67	30
B	24" X 96" STREET NAME SIGN	16.00	40
C	12"-4 SEC. SIGNAL WITH NO BACKPLATES	5.44	40
D	DUAL-2 SEC. PEDESTRIAN SIGNAL	8.00	40
E	9" X 15" POLE MOUNTED SIGN	0.94	13
F	12"-4 SEC. SIGNAL WITH BACKPLATES	11.00	40
G	24" X 30" SIGNAL ARM MOUNTED SIGN	5.00	10

**DESIGN CRITERIA:**  
 1994 AASHTO STANDARD SPECIFICATIONS FOR STRUCTURAL SUPPORTS FOR HIGHWAY SIGNS, LUMINAIRES, AND TRAFFIC SIGNALS.  
**WIND VELOCITY:**  
 80 MPH ISOTACH.

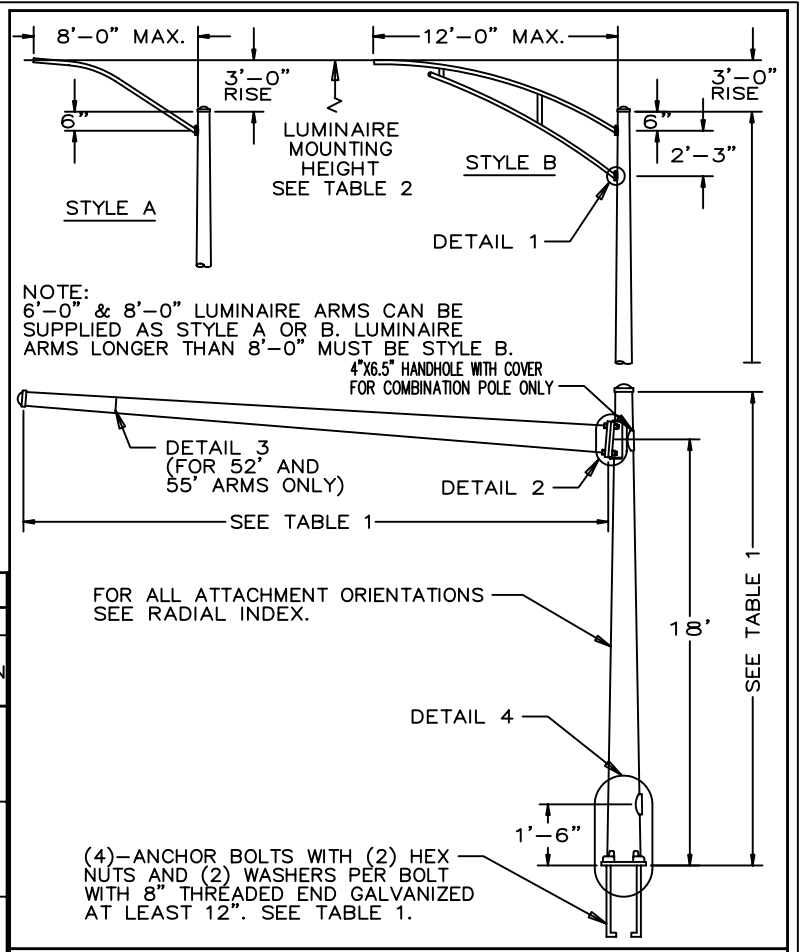
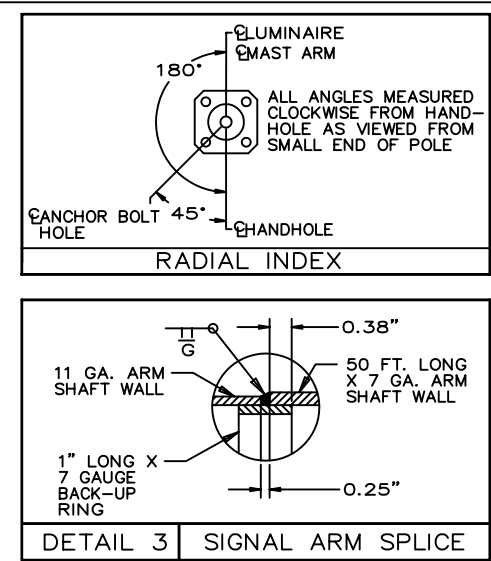


TABLE 1: POLE AND SIGNAL ARM DATA

POLE SERIES	SIGNAL ARM SPAN (FT)	DESIGNATION KEY				POLE DATA		BASE PLATE DATA			ANCHOR BOLT DATA			SIGNAL ARM DATA				ARM ATTACHMENT DATA					
		TYPE	ARM 1 STYLE	ARM 1 SPAN (FT)	ARM 2 STYLE	ARM 2 SPAN (FT)	BASE DIA.	LENGTH	WALL GAUGE THK.	SQUARE "C"	BOLT CIRCLE "F"	THICKNESS "G"	DIAMETER	LENGTH	HOOK	FIXED END DIA.	FREE END DIA.	GAUGE	LENGTH	SQUARE "A"	THICKNESS "D"	BOLT SIZE "E"	BOLT PATTERN "B"
SHAWNEE	14	NL,LR,MR,HR	A OR B	6-12	A OR B	6-12	10.00"	SEE TABLE 2	7	14.00"	13.50"	1.50"	1.50"	54"	6"	7.00"	5.04"	7	14'-0"	12.75"	1.25"	0.75"-10 UNC X 4.00"	10.50"
SHAWNEE	16	NL,LR,MR,HR	A OR B	6-12	A OR B	6-12	10.00"	7	14.00"	13.50"	1.50"	1.50"	54"	6"	7.00"	4.76"	7	16'-0"	12.75"	1.25"	0.75"-10 UNC X 4.00"	10.50"	
SHAWNEE	18	NL,LR,MR,HR	A OR B	6-12	A OR B	6-12	10.00"	7	14.00"	13.50"	1.50"	1.50"	54"	6"	7.00"	4.48"	7	18'-0"	12.75"	1.25"	0.75"-10 UNC X 4.00"	10.50"	
SHAWNEE	20	NL,LR,MR,HR	A OR B	6-12	A OR B	6-12	10.00"	7	14.00"	13.50"	1.50"	1.50"	54"	6"	7.00"	4.20"	7	20'-0"	12.75"	1.25"	0.75"-10 UNC X 4.00"	10.50"	
SHAWNEE	22	NL,LR,MR,HR	A OR B	6-12	A OR B	6-12	11.00"	7	16.50"	15.00"	1.50"	1.50"	54"	6"	8.00"	4.92"	7	22'-0"	14.25"	1.50"	1.00"-8 UNC X 4.75"	11.50"	
SHAWNEE	24	NL,LR,MR,HR	A OR B	6-12	A OR B	6-12	11.00"	7	16.50"	15.00"	1.50"	1.50"	54"	6"	8.00"	4.64"	7	24'-0"	14.25"	1.50"	1.00"-8 UNC X 4.75"	11.50"	
SHAWNEE	26	NL,LR,MR,HR	A OR B	6-12	A OR B	6-12	11.00"	7	16.50"	15.00"	1.50"	1.50"	54"	6"	8.00"	4.36"	7	26'-0"	14.25"	1.50"	1.00"-8 UNC X 4.75"	11.50"	
SHAWNEE	28	NL,LR,MR,HR	A OR B	6-12	A OR B	6-12	11.00"	7	16.50"	15.00"	1.50"	1.50"	54"	6"	8.00"	4.08"	7	28'-0"	14.25"	1.50"	1.00"-8 UNC X 4.75"	11.50"	
SHAWNEE	30	NL,LR,MR,HR	A OR B	6-12	A OR B	6-12	13.00"	7	18.00"	17.00"	1.50"	1.50"	54"	6"	9.00"	4.80"	7	30'-0"	16.25"	1.50"	1.00"-8 UNC X 4.75"	13.50"	
SHAWNEE	32	NL,LR,MR,HR	A OR B	6-12	A OR B	6-12	13.00"	7	18.00"	17.00"	1.50"	1.50"	54"	6"	9.00"	4.52"	7	32'-0"	16.25"	1.50"	1.00"-8 UNC X 4.75"	13.50"	
SHAWNEE	34	NL,LR,MR,HR	A OR B	6-12	A OR B	6-12	13.00"	7	18.00"	17.00"	1.50"	1.50"	54"	6"	9.00"	4.24"	7	34'-0"	16.25"	1.50"	1.00"-8 UNC X 4.75"	13.50"	
SHAWNEE	36	NL,LR,MR,HR	A OR B	6-12	A OR B	6-12	13.00"	7	18.00"	17.00"	1.50"	1.50"	54"	6"	9.00"	3.96"	7	36'-0"	16.25"	1.50"	1.00"-8 UNC X 4.75"	13.50"	
SHAWNEE	38	NL,LR,MR,HR	A OR B	6-12	A OR B	6-12	12.50"	3	18.00"	17.00"	1.75"	1.75"	84"	6"	10.00"	4.68"	7	38'-0"	16.75"	1.50"	1.00"-8 UNC X 4.75"	14.00"	
SHAWNEE	40	NL,LR,MR,HR	A OR B	6-12	A OR B	6-12	12.50"	3	18.00"	17.00"	1.75"	1.75"	84"	6"	10.00"	4.40"	7	40'-0"	16.75"	1.50"	1.00"-8 UNC X 4.75"	14.00"	
SHAWNEE	42	NL,LR,MR,HR	A OR B	6-12	A OR B	6-12	12.50"	3	18.00"	17.00"	1.75"	1.75"	84"	6"	10.00"	4.12"	7	42'-0"	16.75"	1.50"	1.00"-8 UNC X 4.75"	14.00"	
SHAWNEE	44	NL,LR,MR,HR	A OR B	6-12	A OR B	6-12	12.50"	3	18.00"	17.00"	1.75"	1.75"	84"	6"	10.00"	3.84"	7	44'-0"	16.75"	1.50"	1.00"-8 UNC X 4.75"	14.00"	
SHAWNEE	46	NL,LR,MR,HR	A OR B	6-12	A OR B	6-12	13.00"	3	18.00"	17.50"	1.75"	1.75"	84"	6"	11.00"	4.56"	7	46'-0"	17.75"	1.75"	1.00"-8 UNC X 5.25"	15.00"	
SHAWNEE	48	NL,LR,MR,HR	A OR B	6-12	A OR B	6-12	13.00"	3	18.00"	17.50"	1.75"	1.75"	84"	6"	11.00"	4.28"	7	48'-0"	17.75"	1.75"	1.00"-8 UNC X 5.25"	15.00"	
SHAWNEE	50	NL,LR,MR,HR	A OR B	6-12	A OR B	6-12	13.00"	3	18.00"	17.50"	1.75"	1.75"	84"	6"	11.00"	4.00"	7	50'-0"	17.75"	1.75"	1.00"-8 UNC X 5.25"	15.00"	
SHAWNEE	52	NL,LR,MR,HR	A OR B	6-12	A OR B	6-12	14.00"	0.25"	19.00"	19.00"	1.75"	1.75"	84"	6"	12.00"	4.60"	7	52'-0"	18.25"	1.75"	1.00"-8 UNC X 5.25"	15.50"	
SHAWNEE	55	NL,LR,MR,HR	A OR B	6-12	A OR B	6-12	14.00"	0.25"	19.00"	19.00"	1.75"	1.75"	84"	6"	12.00"	4.18"	7	55'-0"	18.25"	1.75"	1.00"-8 UNC X 5.25"	15.50"	

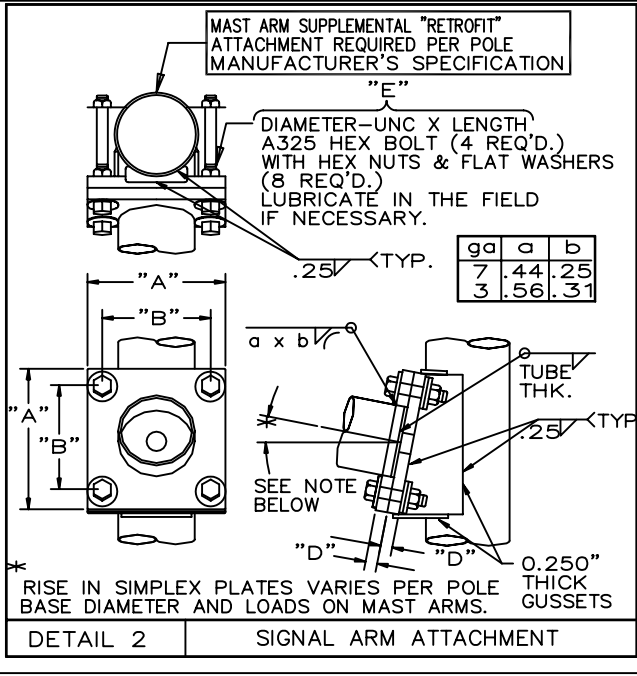
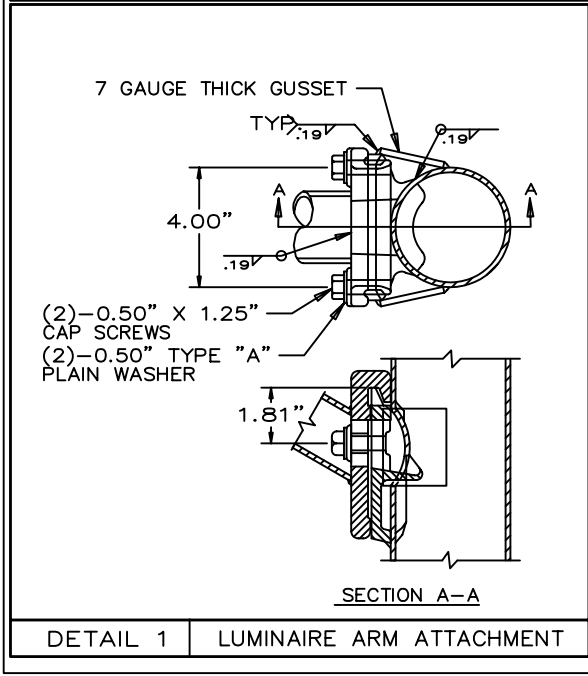
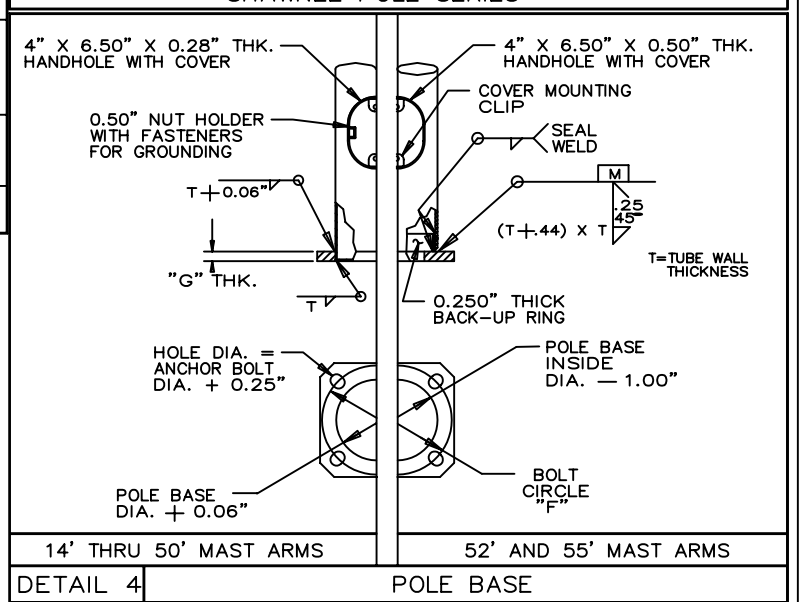


TABLE 2

ELEVATIONS	TYPE			
	NO LUMINAIRE (NL)	LOW RISE (LR)	MEDIUM RISE (MR)	HIGH RISE (HR)
LUM. MOUNTING HEIGHT		30'-0"	35'-0"	40'-0"
POLE LENGTH	19'-0"	27'-0"	32'-0"	37'-0"

MATERIAL DATA

COMPONENT	ASTM DESIGNATION	MINIMUM YIELD (KSI)
POLE SHAFT 3 GA. & 7 GA.	A595 GR. A	55
POLE SHAFT 0.250" WALL	A572 GR. 65	65
MAST ARM SHAFT	A595 GR. A	55
LUMINAIRE ARM	2" SCHED. 40 PIPE	
BASE PLATE-A595 SHAFT	A36	36
BASE PLATE-A572 SHAFT	A572 GR. 42	42
SIMPLEX PLATES	A36	36
GALVANIZING	A123 TUBES A153 ACCESSORIES	NOT APPLICABLE
ANCHOR BOLTS AASHTO M314 GR.55		



DATE	REVISION	BY	APPR

TRAFFIC SIGNAL INSTALLATION  
 TRAFFIC SIGNAL STRUCTURES  
 PROJECT  
 PUBLIC WORKS - ENGINEERING

PROJ. NO.	XX-XXXX	TSDETAIL05.DWG	02 JAN 02
DATE	XX-XX-XXXX	DETAIL 5 of 6	
DESIGNED	XXX		
DESIGN CK	XXX		
DETAILED	XXX		
DETAIL CK	XXX		

SHEET X OF XX