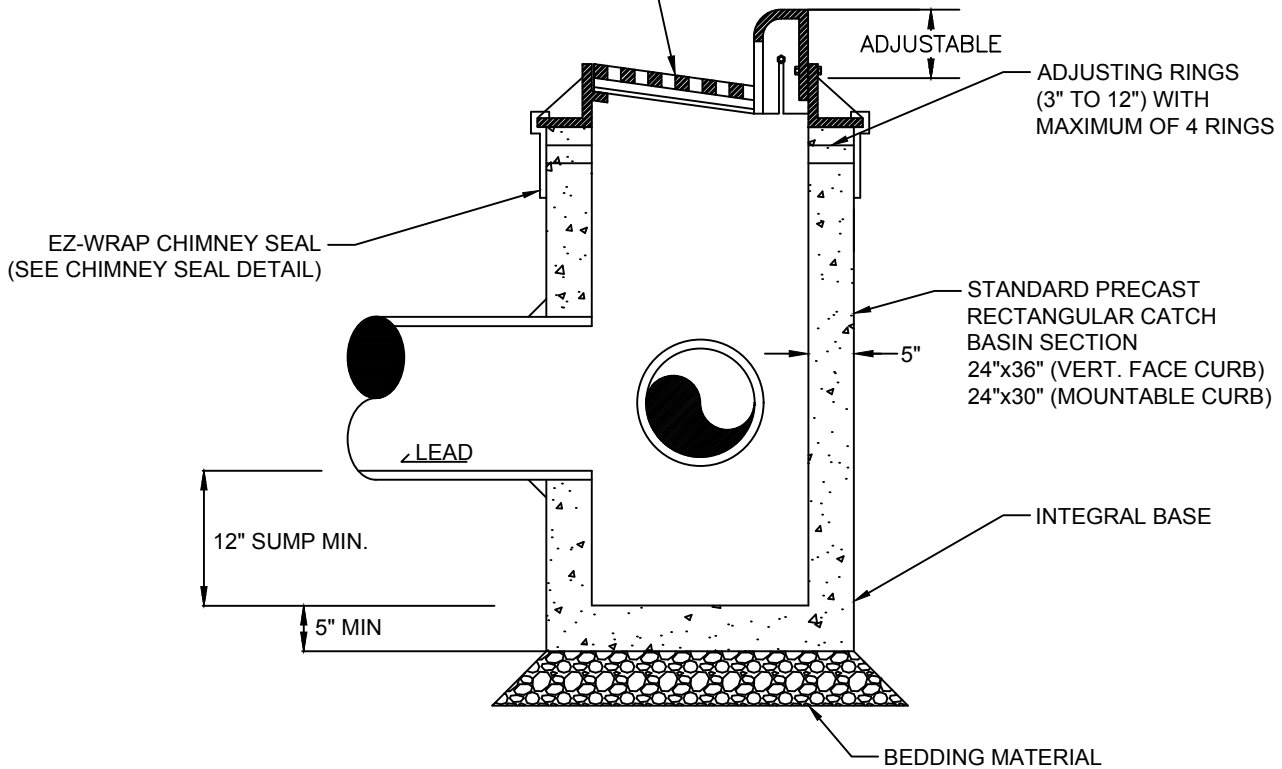


NEENAH R-3067 CURB INLET FRAME, TYPE "L" GRATE OR NEENAH R-3501-R FRAME AND GRATE, MOUNTABLE CURB



NOTE:

1. REFER TO VILLAGE STANDARD SPECIFICATIONS FOR STORM SEWER

SCALE: NTS

PRECAST RECTANGULAR CATCH BASIN

DETAIL: STM - 3

DATE: 12-17-18

APPROVED BY: MATT FINEOUR

VILLAGE OF PLEASANT PRAIRIE
KENOSHA COUNTY, WISCONSIN