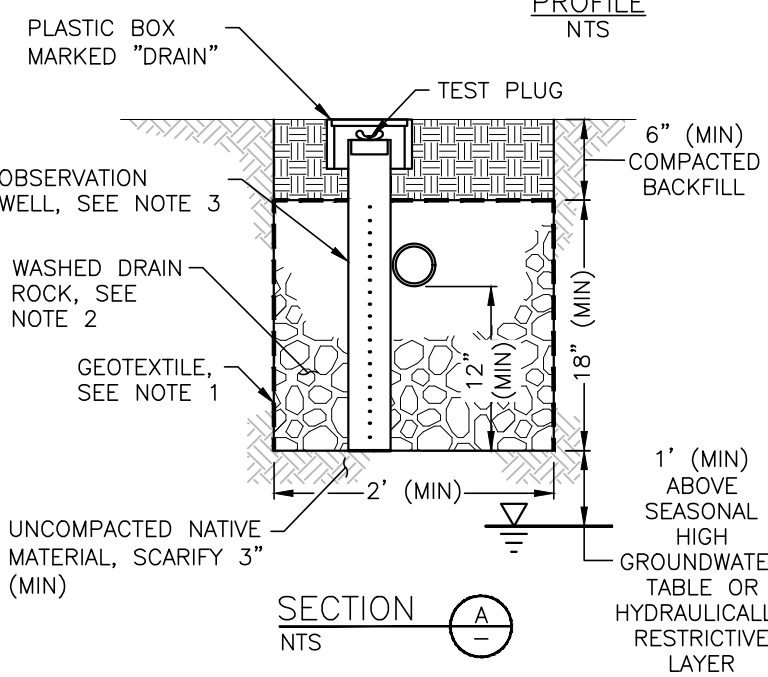
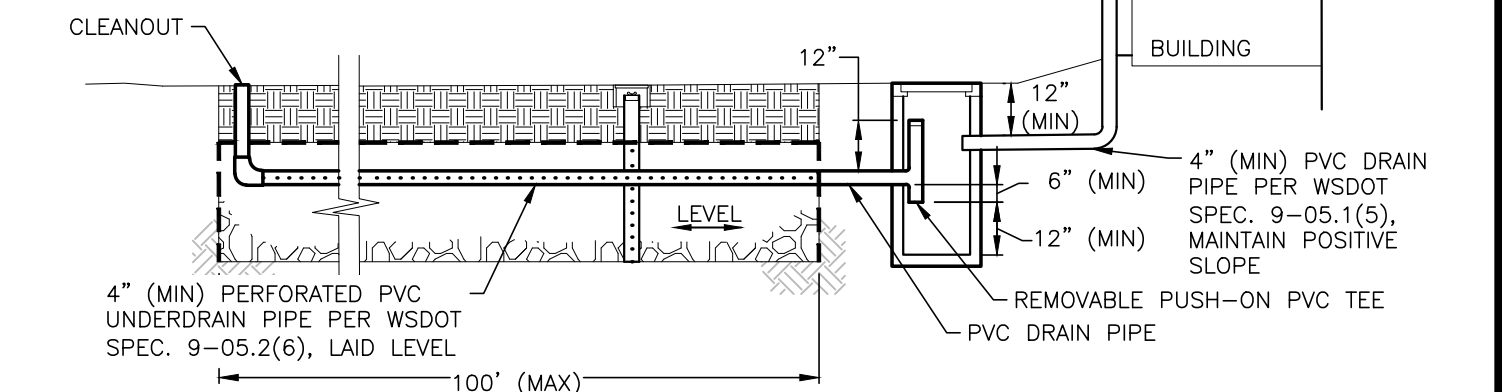


4" (MIN) DIA. OBSERVATION WELLS
SPACED 25' APART (MAX), 1
WELL (MIN) PER TRENCH

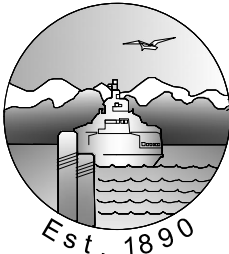


GENERAL NOTES:

1. REFER TO THE 2017 CITY OF EDMONDS STORMWATER ADDENDUM FOR SETBACK (CHECKLIST 13) AND INFEASIBILITY REQUIREMENTS.
2. MIN COVER DEPTHS ASSUME NO VEHICULAR LOADING. DESIGNER TO SPECIFY COVER DEPTHS IF VEHICULAR TRAFFIC ANTICIPATED.

NOTES:

1. PLACE GEOTEXTILE FABRIC ALONG WALLS AND TOP OF WASHED ROCK. GEOTEXTILE SHALL CONFORM TO WSDOT SPEC. 9-33.2(1), GEOTEXTILE FOR SEPARATION, NON-WOVEN TYPE.
2. WASHED DRAIN ROCK SHALL CONFORM TO WSDOT SPEC. 9-03.12(5), GRAVEL BACKFILL FOR DRYWELLS.
3. OBSERVATION WELL SHALL CONFORM TO WSDOT SPEC. 9-05.2(6), PERFORATED PVC UNDERDRAIN PIPE.



CITY OF EDMONDS
PUBLIC WORKS
DEPARTMENT

**TYPICAL DOWNSPOUT
INFILTRATION TRENCH**

APPROVED BY: R. ENGLISH

REVISION DATE
APRIL 2021

STANDARD
DETAIL
SD-636