

2" TO 6" CONC RISERS
(4" MIN - 18" MAX)
USING NON SHRINK GROUT
PROVIDE SMOOTH FINISH
INSIDE AND OUT

2 HANDHOLDS
SEE COE STD DTL GU-423

POLYPROPYLENE SAFETY
STEP/LADDER 12" OC

PRECAST SECTIONS
4" MIN THICKNESS

MH FRAME AND COVER PER
COE STD DTL GU-420

10" MIN TO
24" MAX

28" MAX

24"

6" MAX

ECCENTRIC
PRECAST CONE

SEE NOTE 4

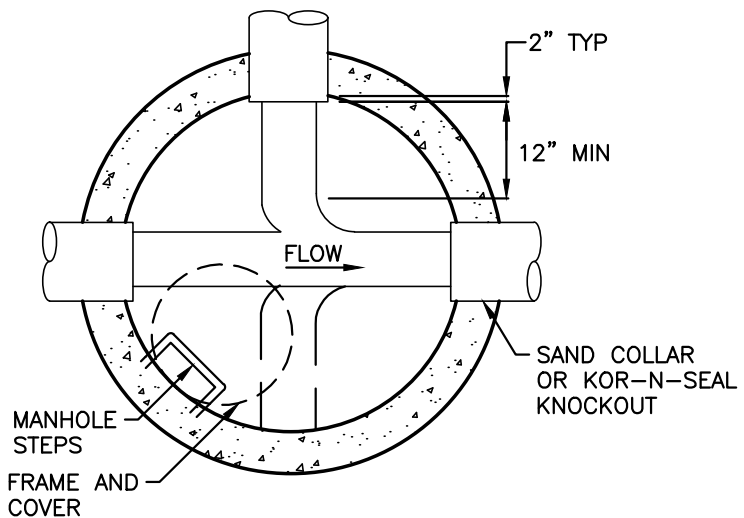
48" MIN

16" MAX

CONSTRUCT
CHANNEL
SHELF

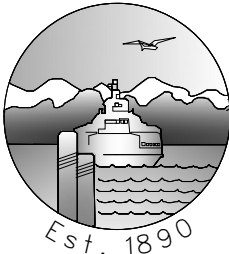
6" MIN

REBAR
MIN 2" CLEARANCE



NOTES:

1. LOCATE MH LID OUTSIDE THE WHEEL PATH OF THE TRAVEL LANE.
2. BASE REINFORCING SHALL BE #4 REBAR AT 12" OC BOTH WAYS.
3. LARGER MH TO BE REVIEWED ON A CASE BY CASE BASIS USING APWA STANDARDS.
4. STEP AND LADDER MAY BE USED IN LIEU OF POLYPROPYLENE SAFETY STEPS. SEE COE STD DTL GU-423.



CITY OF EDMONDS
PUBLIC WORKS
DEPARTMENT

TYPE I MH

APPROVED BY: R. ENGLISH

REVISION DATE
OCTOBER 2021

STANDARD
DETAIL
GU-421