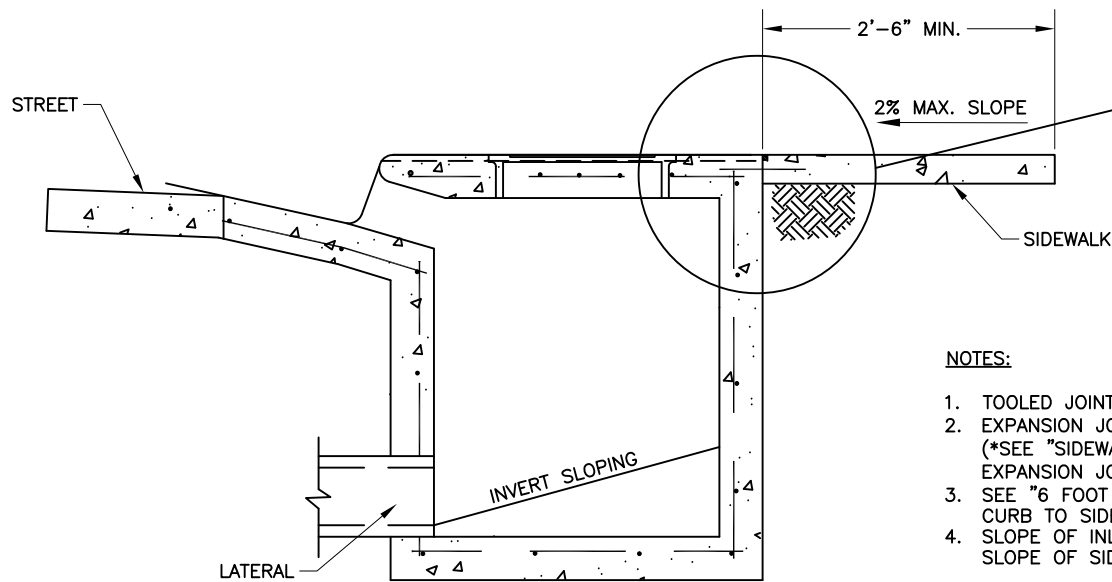
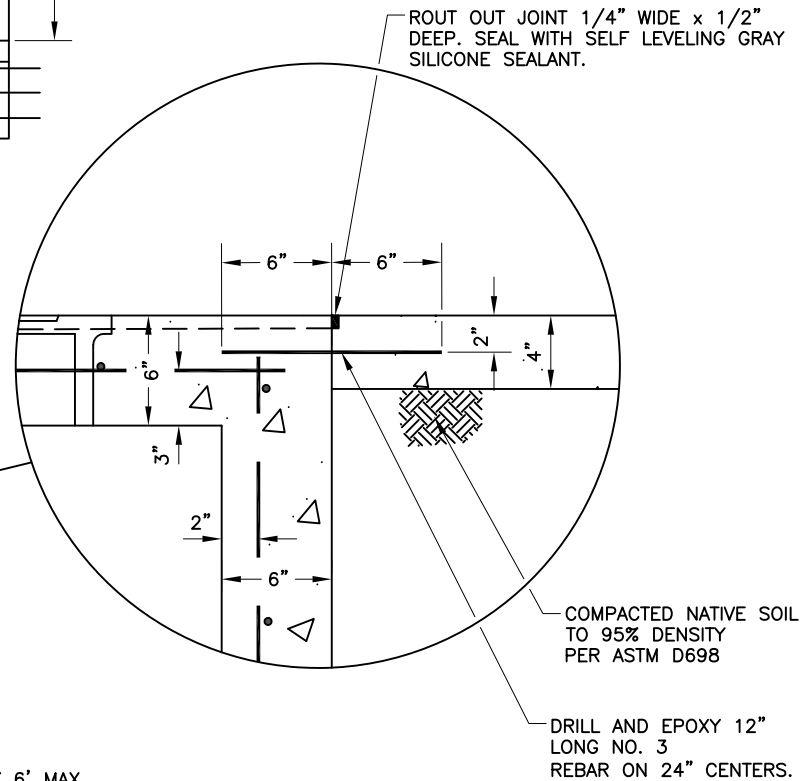


PLAN




SECTION A-A



NOTES:

1. TOOLED JOINT EVERY 6' MAX.
2. EXPANSION JOINT EVERY 42', (*SEE "SIDEWALK TRANSVERSE EXPANSION JOINT" DETAIL)
3. SEE "6 FOOT SIDEWALK" DETAIL FOR CURB TO SIDEWALK CONNECTION
4. SLOPE OF INLET TOP SHALL MATCH SLOPE OF SIDEWALK, 2% MAX.

SIDEWALK CONNECTION
TO CURB INLET
NTS 9/02/21

 CITY OF ARLINGTON, TEXAS		
SIDEWALK CONNECTION TO CURB INLET		
DATE:	SCALE: NTS	SHEET OF
DESIGNED BY:	DRAWN BY:	CHECKED BY: