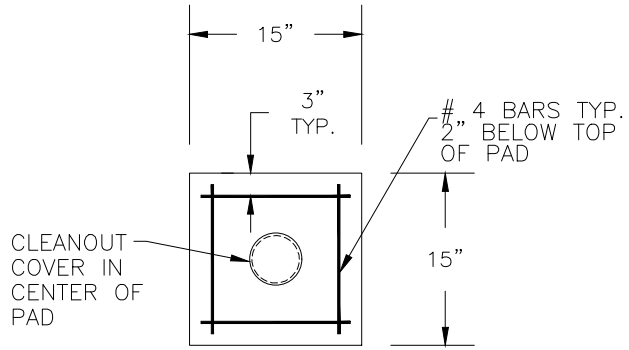


NOTES:

1. CLEANOUTS ARE NOT PERMITTED FOR USE UNLESS APPROVED BY CITY.
2. PROVIDE CLEANOUT PAD ON EVERY CLEANOUT.
3. THE SIZE OF THE CLEANOUT MUST BE EQUAL TO THE SIZE OF THE WASTEWATER COLLECTION SYSTEM MAIN.
4. CLEANOUTS SHALL NOT BE ALLOWED ON SANITARY SEWER MAINS 10" OR GREATER IN DIAMETER.
5. NO SERVICES ALLOWED ON STACK.



CONCRETE CLEANOUT PAD

CITY OF ARLINGTON, TEXAS
SANITARY SEWER CLEANOUT
DATE: 01/09/2018