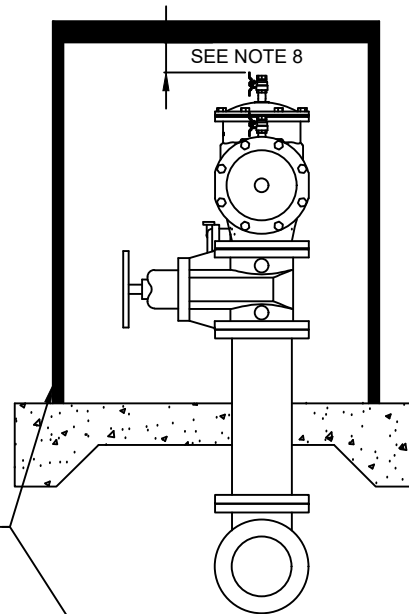
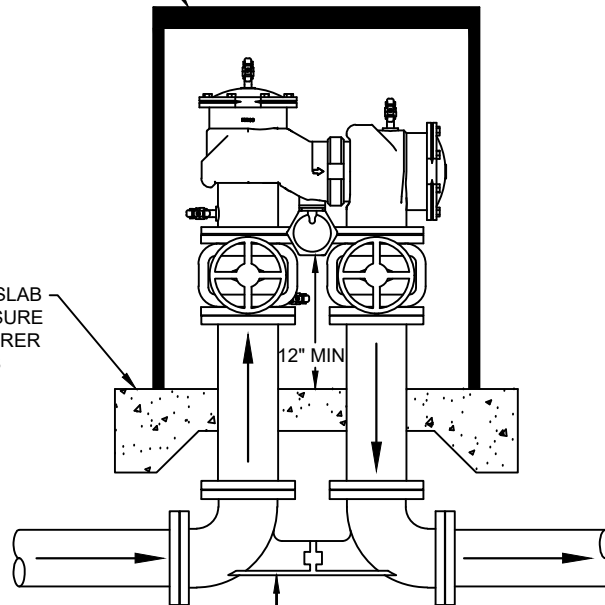


HINGED OPENING
IN DOOR FOR
DRAINAGE AS
REQUIRED BY
ASSE-1060

ASSE-1060
ENCLOSURE



4" 3000 PSI
CONCRETE SLAB
PER ENCLOSURE
MANUFACTURER
DIMENSIONS



VALVE SETTER RECOMMENDED

GENERAL NOTES:

1. ALL CONSTRUCTION SHALL BE IN ACCORDANCE WITH THE CITY OF ARLINGTON (COA) STANDARD SPECIFICATIONS FOR WATER & SEWER CONSTRUCTION, LATEST EDITION.
2. THE ASSEMBLY SHALL MEET THE REQUIREMENTS OF ASSE 1013, REDUCED PRESSURE ZONE (RPZ) BACKFLOW PREVENTER ASSEMBLY(BPA); ASSE 1047, REDUCED PRESSURE DETECTOR ASSEMBLY (RPDA) BPA; IN A SIZE TO MATCH THAT OF THE REQUIRED METER AND/OR SERVICE PIPING, AND SHALL CONFORM TO ALL CURRENT REQUIREMENTS OF THE UNIVERSITY OF SOUTHERN CALIFORNIA, FOUNDATION FOR CROSS-CONNECTION CONTROL & HYDRAULIC RESEARCH (USC-FCCCHR).
3. ANY VARIATIONS FROM THIS DETAIL MUST BE APPROVED BY ARLINGTON WATER UTILITIES.
4. IF THIS BACKFLOW PREVENTION ASSEMBLY IS FOR 'CONTAINMENT', OR PREMISE ISOLATION, OWNER ACKNOWLEDGES THAT ITS PRESENCE ON THE PROPERTY DOES NOT DIMINISH, MITIGATE, OR REMOVE OWNER'S OBLIGATIONS TO SATISFY THE 'ISOLATION' OR 'POINT OF USE' REQUIREMENTS LAID OUT IN TITLE 30, CHAPTER 290 OF THE TEXAS COMMISSION ON ENVIRONMENTAL QUALITY, (TCEQ) AND/OR OTHER RELEVANT GUIDELINES REQUIRED BY THE STATE OF TEXAS OR THE CITY OF ARLINGTON.
5. IT IS THE RESPONSIBILITY OF ANY PERSON WHO OWNS OR CONTROL A PROPERTY TO ELIMINATE THE POSSIBILITY OF THERMAL EXPANSION IF A CLOSED SYSTEM HAS BEEN CREATED BY THE INSTALLATION OF A BACKFLOW ASSEMBLY.

LOCATION:

6. THE ENCLOSURE SHALL BE LOCATED ON THE OWNER'S PROPERTY BEYOND THE RIGHT OF WAY IN ACCORDANCE WITH DETAIL BF-H OR DETAIL BF-I IN A LOCATION ACCESSIBLE TO CITY PERSONNEL FOR INSPECTION.
7. THERE SHALL BE NO TAPS, PIPE BRANCHES, UNAPPROVED BYPASS PIPING, HYDRANTS, FIRE DEPARTMENT CONNECTION POINTS, OF OTHER WATER-USING APPURTENANCES CONNECTED TO THE SUPPLY LINE BETWEEN ANY WATER METER AND ITS COA REQUIRED BPA.

ENCLOSURE:

8. ASSEMBLY SHALL NOT BE BURIED IN EARTH OR IN ANY LOCATION SUBJECT TO FLOODING, BUT INSTALLED ABOVE GROUND IN A FREEZE-PROTECTED ENCLOSURE MEETING THE ASSE-1060 SPECIFICATION AND APPLICABLE COA PLUMBING AND BUILDING CODES.
9. INTERIOR CLEARANCES AROUND THE ASSEMBLY SHALL BE NO LESS THAN 2 INCHES AND INTERIOR ROOF CLEARANCE SHALL BE NO LESS THAN 1 INCH EXCEPT THAT ANY VALVE HANDLE/WHEEL OR TEST COCK SHALL HAVE 6 INCHES OF CLEARANCE FROM ANY WALL OR ROOF.
10. ABOVEGROUND ENCLOSURES SHALL BE SCREENED WITH LANDSCAPE PLANT MATERIAL IN ACCORDANCE WITH COA SPECIFICATIONS. PLANT MATERIAL MUST BE MAINTAINED BY OWNER IN A MANNER SUFFICIENT TO ENSURE ACCESS FOR BPA INSPECTION AND MAINTENANCE.

INSTALLATION:


11. PIPE MATERIAL AND FITTINGS SHALL BE AS SPECIFIED IN COA STANDARDS AND SPECIFICATIONS.
12. ISOLATION VALVES ARE SPECIFIC TO EACH APPROVED BPA AND NO SUBSTITUTION OF ISOLATION VALVES ARE PERMITTED.
13. ALL JOINTS SHALL BE RESTRAINED WITH MEGALUG RESTRAINTS OR APPROVED EQUAL.
14. SUPPORT FOR ASSEMBLY SHALL BE DESIGNED BY OWNER SUCH THAT ASSEMBLY WEIGHT DOES NOT DESTABILIZE STRUCTURAL INTEGRITY AND SHALL NOT BLOCK RELIEF VALVE ON DRAIN PORT.

TESTING

15. EACH COA REQUIRED BACKFLOW PREVENTER MUST BE TESTED BY A COA-APPROVED CERTIFIED TESTER PRIOR TO PLACING THE WATER SYSTEM IN SERVICE.
16. ALL RPZ-BFP ASSEMBLIES SHALL BE TESTED AT TIME OF INSTALLATION AND AT LEAST ANNUALLY THEREAFTER. A COPY OF ALL TEST AND MAINTENANCE REPORTS MUST BE FAXED TO 817-459-6626.

MAINTENANCE

17. MAINTENANCE AND UPKEEP OF ALL BACKFLOW PREVENTION EQUIPMENT SHALL BE THE RESPONSIBILITY OF THE PROPERTY OWNER.

| |
|---|
|  CITY OF ARLINGTON, TEXAS |
| BF-F PREMISE ISOLATION RPZ BPA (2 1/2"-12") |
| OUTDOOR DETAIL SMALL FOOTPRINT |
| DATE: 01/09/2018 |