

TECHNICAL DATA

POWER CONSUMPTION – Saves 50-70%.

EXPECTED LED LIFE – 100,000 hrs.

LED TECHNOLOGY – Latest technology on Hi-Flux LEDs.
 Minimal CRI of 70.

OPTICS – Special secondary optical lens design to maximize light output & uniformity. Each lens allows the fixture to generate different lighting patterns. Dimmable option.

DISTRIBUTION LAYOUT – Available: Type II, III, IV, V.

OPERATING TEMPERATURE – -40 C° ~ +70 C°.

HOUSING – Die cast aluminum housing with powder coat finish.
 Single, self-contained device, not requiring on-site assembly for installation, designed to prevent the buildup of water and accumulated debris. Tool-less entry housing. Watertight, IP66.

THERMAL MANAGEMENT – Heat sink fins are incorporated into the external design to allow for dispensing heat.

MOUNTING – ±5° mounting angle adjustability. Easy mounting hardware for mounting angles and different pole sizes.

ELECTRICAL FEATURES – Integral power surge protector tested in conformance to ANSI/IEEE C62.45 procedures.
 Comes with a variable voltage power supply either 120-277VAC or 249-528VAC.
 Twist-lock photocell included (3 or 7 pins). UL 1598, UL 8750, and CSA C22.2 certified.

LUMINAIRE EFFICACY – ≥135 lm/w.

COLOR CORRELATED TEMPERATURE (CCT) – 3,000K to 6,000K.



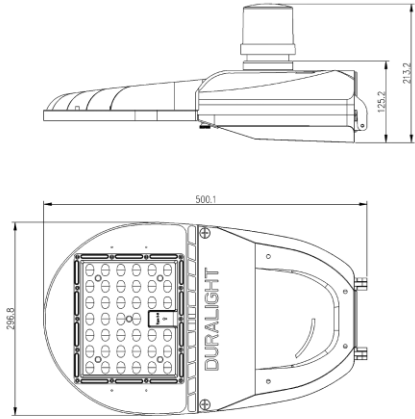
| Model Number: | DURA-STR15 | DURA-STR25 | DURA-STR40 |
|----------------|------------|------------|------------|
| Wattage Level: | 55W | 100W | 140W |
| Lumen Output*: | ≈ 7700 | ≈ 14000 | ≈ 16100 |
| CRI: | > 70 | > 70 | > 70 |
| Power Factor: | > 0.9 | > 0.9 | > 0.9 |
| Weight (lbs): | ≤ 12 | ≤ 16 | ≤ 16 |
| EPA (sqft): | 0.46 | 0.65 | 0.65 |

Any additional technical information or sales support regarding these and other LED Products, please contact us:

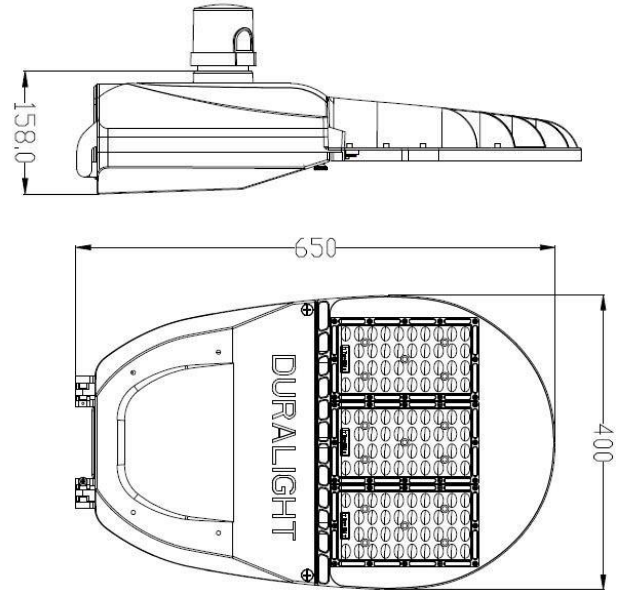
City of Arlington Only

HOUSING SIZES:

STR15 & STR25



STR40



ORDERING/OPTIONS

Example: DURA-STR25-4K-120-2-GR-SC

| PREFIX | | SERIES | | WATTAGE LEVEL | | CCT | |
|-------------|-----------|------------|---------------|---------------|--------|-----------|----------------------|
| DURA | DURALIGHT | STR | Lighting | 15 | ≈ 55W | 3K | 3000K (± 300) |
| | LED | | <u>Series</u> | 25 | ≈ 100W | 4K | 4000K (± 300) |
| | | | | 40 | ≈ 140W | | (Standard CCT) |
| | | | | | | 5K | 5000K (± 300) |
| | | | | | | 6K | 6000K (± 300) |

| VOLTAGE | | DISTRIBUTION | | FINISH | | OPTIONS | |
|------------|--------------------|--------------|----------------|-----------|----------------------------|-----------|---------------------------|
| 120 | 120V – 277V | 2 | Type II | GR | Gray Housing | PC | Photocell ¹ |
| | (Standard Driver) | 3 | Type III | | (Standard) | SC | Shorting Cap ¹ |
| 480 | 480V | 4 | Type IV | BK | Black ² | DM | Dimming |
| | | 5 | Type V | BZ | Bronze ² | | (0-10V Driver) |
| | | | | DG | Dark Green ² | L | Utility Label |
| | | | | SP | Special Color ² | B | Bubble Level |
| | | | | | (Provide Chip) | | |

NOTE: 1. Fixtures come with a Standard 7-Pin Receptacle.

2. Color other than the standard Gray may incur an extra charge. Please contact us for additional information.

TRASTAR, INC.

860 N. DOROTHY DRIVE, SUITE 600, RICHARDSON, TX 75081

PH: (972) 480-0888 | FX: (972) 480-8884

www.trastarusa.com