

### TECHNICAL DATA



**POWER CONSUMPTION** – Saves 50-70%.

**EXPECTED LED LIFE** – 100,000 hrs.

**LED TECHNOLOGY** – Latest technology on Hi-Flux LEDs.  
Minimal CRI of 70.

**OPTICS** – Special secondary optical lens design to maximize light output & uniformity. Each lens allows the fixture to generate different lighting patterns. Dimmable option.

**DISTRIBUTION LAYOUT** – Available: Type II, III, IV, V.

**OPERATING TEMPERATURE** – -40 C° ~ +70 C°.

**HOUSING** – Die cast aluminum housing with powder coat finish. Single, self-contained device, not requiring on-site assembly for installation, designed to prevent the buildup of water and accumulated debris. Tool-less entry housing. Watertight, IP66.

**THERMAL MANAGEMENT** – Heat sink fins are incorporated into the external design to allow for dispensing heat.

**MOUNTING** – ±5° mounting angle adjustability. Easy mounting hardware for mounting angles and different pole sizes.

**ELECTRICAL FEATURES** – Integral power surge protector tested in conformance to ANSI/IEEE C62.45 procedures. Comes with a variable voltage power supply either 120-277VAC or 249-528VAC. Twist-lock photocell included (3 or 7 pins). UL 1598, UL 8750, and CSA C22.2 certified.

**LUMINAIRE EFFICACY** – ≥ 115 lm/w.

**COLOR CORRELATED TEMPERATURE (CCT)** – 3,000K to 6,000K.

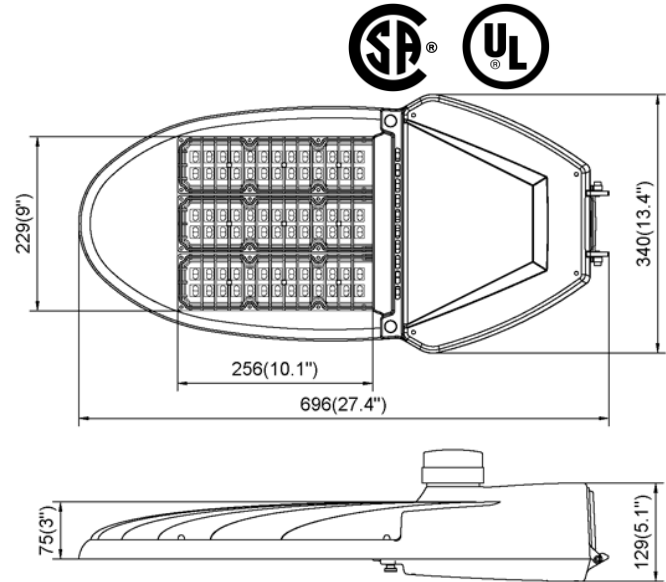
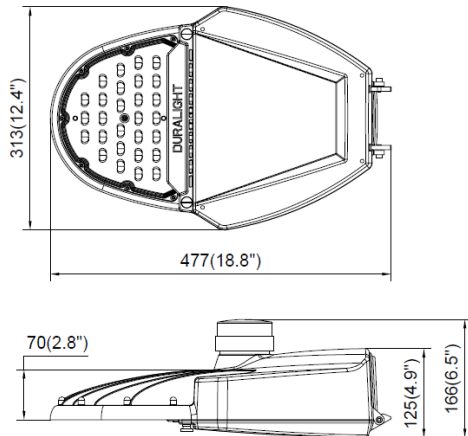


Model Number:	DURA-ST15	DURA-ST25	DURA-ST40
Wattage Level:	55W	100W	140W
Lumen Output*:	≈ 6600	≈ 12100	≈ 16100
CRI:	> 70	> 70	> 70
Power Factor:	> 0.9	> 0.9	> 0.9
Weight (lbs):	≤ 12	≤ 16	≤ 16
EPA (sqft):	0.46	0.65	0.65

Any additional technical information or sales support regarding these and other LED Products, please contact us:

City of Arlington Only

### HOUSING SIZES:



### ORDERING/OPTIONS

**Example:** DURA-ST25-4K-120-2-GR-SC

PREFIX		SERIES		WATTAGE LEVEL		CCT	
<b>DURA</b>	DURALIGHT	<b>ST</b>	Lighting	<b>15</b>	≈ 55W	<b>3K</b>	3000K (± 300)
	LED		Series	<b>25</b>	≈ 100W	<b>4K</b>	4000K (± 300)
				<b>40</b>	≈ 140W		(Standard CCT)
						<b>5K</b>	5000K (± 300)
						<b>6K</b>	6000K (± 300)

VOLTAGE		DISTRIBUTION		FINISH		OPTIONS	
<b>120</b>	120V – 277V	<b>2</b>	Type II	<b>GR</b>	Gray Housing	<b>PC</b>	Photocell <sup>1</sup>
	(Standard Driver)	<b>3</b>	Type III		(Standard)	<b>SC</b>	Shorting Cap <sup>1</sup>
<b>480</b>	480V	<b>4</b>	Type IV	<b>BK</b>	Black <sup>2</sup>	<b>DM</b>	Dimming
		<b>5</b>	Type V	<b>BZ</b>	Bronze <sup>2</sup>		(0-10V Driver)
				<b>DG</b>	Dark Green <sup>2</sup>	<b>L</b>	Utility Label
				<b>SP</b>	Special Color <sup>2</sup>	<b>B</b>	Bubble Level
					(Provide Chip)		

- NOTE:**
1. Fixtures come with a Standard 7-Pin Receptacle.
  2. Color other than the standard Gray may incur an extra charge. Please contact us for additional information.