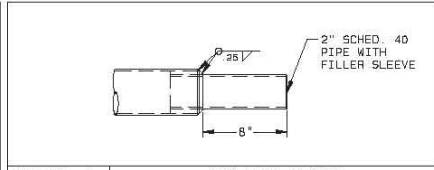
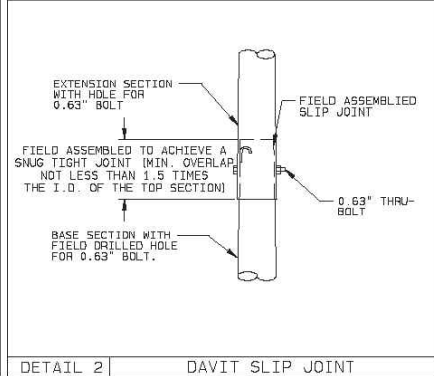


DESIGN INFORMATION

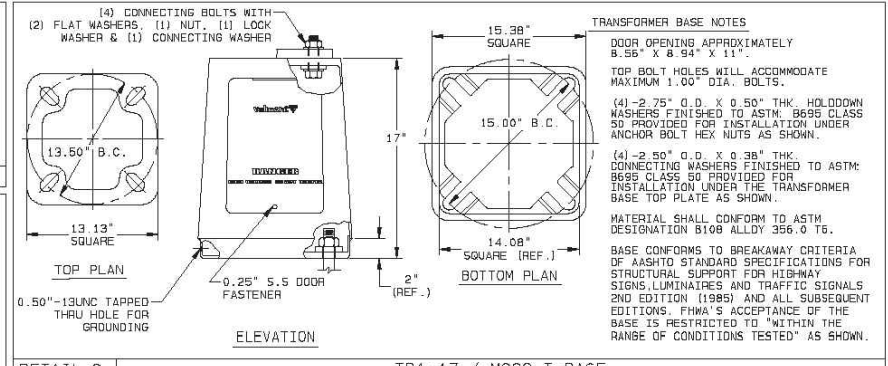
CRITERIA: AASHTO 2001
 WIND VELOCITY: 90 MPH
 RECURRENCE INTERVAL: 50 YEARS
 FIXTURE EPA: 0.90 FT² EA
 FIXTURE WEIGHT: 21 LBS EA



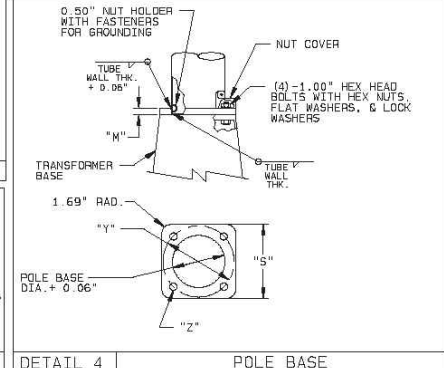
DETAIL 1 ARM END TENON



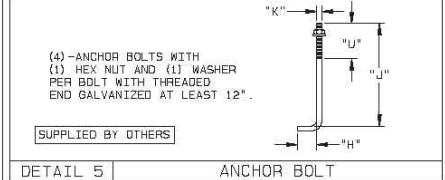
DETAIL 2 DAVIT SLIP JOINT



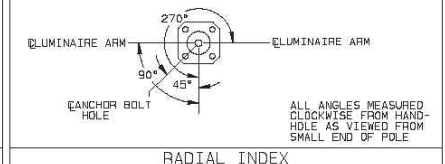
DETAIL 3 TB1-17 / M093 T-BASE



DETAIL 4 POLE BASE



DETAIL 5 ANCHOR BOLT



RADIAL INDEX

MATERIAL DATA

COMPONENT	ASTM DESIGNATION	MIN. YIELD (KSI)
POLE BASE	A595 GR. A	55
ARM SHAFT	A595 GR. A	55
BASE PLATE	A36	36
ANCHOR BOLTS	F1554 GR. 55	55
T-BASE CONN. BOLTS	A325	--

FINISH DATA

SYSTEM: V-PRO 32 (NP32)
 LIQUID (ALTERNATE)
 BASE COAT: HOT-DIP GALVANIZED TO ASTM A123
 PRIME COAT: POLYAMIDAMINE OR POLYAMIDE EPOXY
 FINISH COAT: ALIPHATIC ACRYLIC POLYURETHANE
 COLOR: BLACK OR DARK BRONZE
 SPEC: F-306KU

SEE NOTE 1&2

VIBRATION DISCLAIMER

ALTHOUGH RARE, VIBRATIONS SEVERE ENOUGH TO CAUSE DAMAGE CAN OCCASIONALLY OCCUR IN STRUCTURES OF ALL TYPES. BECAUSE THEY ARE INFLUENCED BY MANY INTERACTING VARIABLES, VIBRATIONS ARE GENERALLY UNPREDICTABLE. THE USER'S MAINTENANCE PROGRAM SHOULD INCLUDE OBSERVATION FOR EXCESSIVE VIBRATION AND EXAMINATION FOR ANY STRUCTURAL DAMAGE OR BOLT LOOSENING. THE VALMONT WARRANTY SPECIFICALLY EXCLUDES FATIGUE FAILURE OR SIMILAR PHENOMENA RESULTING FROM INDUCED VIBRATION, HARMONIC OSCILLATION OR RESONANCE ASSOCIATED WITH MOVEMENT OF AIR CURRENTS AROUND THE PRODUCT.

POLE AND ARM DATA

TYPE	QTY.	POLE TUBE				POLE BASE				ANCHOR BOLT				ARM TUBE			
		BASE DIA. (IN)	TOP DIA. (IN)	LENGTH (FT)	GAUGE OR THK. (IN)	SQUARE "S" (IN)	BOLT CIRCLE "Y" (IN)	THK. "M" (IN)	HOLE "Z" (IN)	DIA. "K" (IN)	LENGTH "J" (IN)	HOOK "H" (IN)	THREAD LENGTH "U" (IN)	FIXED END DIA. (IN)	FREE END DIA. (IN)	GAUGE OR THICK (IN)	LENGTH (FT)
D40-9T																	

**** IMPORTANT NOTE ****

- WRITTEN CONFIRMATION MUST BE PROVIDED CONFIRMING ALL MOUNTING HEIGHTS, ORIENTATIONS, & FINISH PRIOR TO RELEASE FOR PRODUCTION
- BLACK COAT AND FINISH COAT IS ONLY TO BE USED IF POLES ARE LOCATED IN THE ENTERTAINMENT DISTRICT OVERLAY OR THE DOWNTOWN DISTRICT OVERLAY.

VALMONT INDUSTRIES, INC. RESERVES THE RIGHT TO INSTALL VARIOUS, ENGINEER APPROVED, MATERIAL HANGING ACCOMMODATIONS TO FACILITATE THE MANUFACTURING PROCESS.

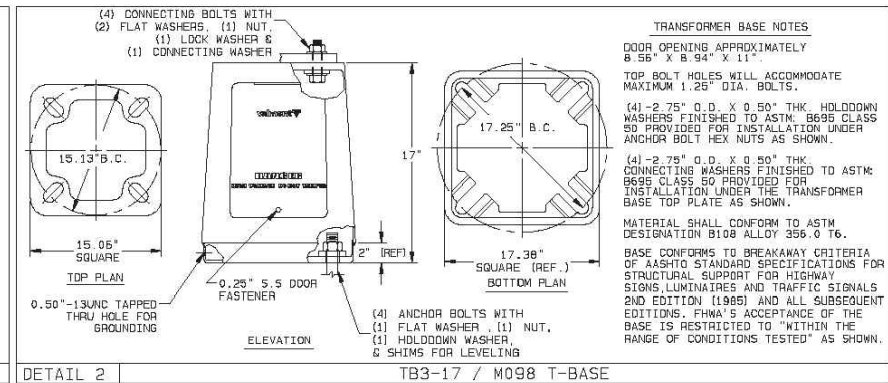
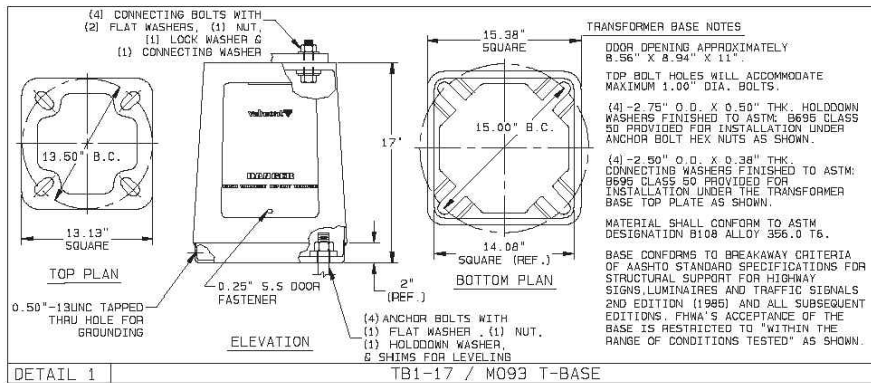
valmont
 Valley, NE 68664
 (402) 359-2261

ORDER NUMBER: 349469-P1
 PAGE NUMBER: 1 OF 2
 DRAWING NUMBER: TX349469P1

WILDCAT ELECTRIC SUPPLY	JOB: ANNUAL BID PROPOSAL 17-0035 CITY OF ARLINGTON, TX
TF 05/09/18	TITLE: LIGHTING STRUCTURES

CITY OF ARLINGTON, TEXAS

40FT Double Davit Pole with Base



FINISH DATA

SYSTEM:	FINISH PAINTED (FP)
BASE COAT:	NONE
PRIME COAT:	NONE
FINISH COAT:	TEIC OR URETHANE POLYESTER POWDER
COLOR:	BLACK
SPEC:	F-264A

DOWNTOWN & ENTERTAINMENT DISTRICT OVERLAY ONLY

FINISH DATA

SYSTEM:	FINISH PAINTED (FP)
BASE COAT:	NONE
PRIME COAT:	NONE
FINISH COAT:	TEIC OR URETHANE POLYESTER POWDER
COLOR:	DARK BRONZE
SPEC:	F-264B

FINISH DATA

SYSTEM:	GALVANIZED (GV)
BASE COAT:	HOT-DIP GALVANIZED TO ASTM A123
PRIME COAT:	NONE
FINISH COAT:	NONE
COLOR:	NONE
SPEC:	F-1

**** IMPORTANT NOTE ****

- WRITTEN CONFIRMATION MUST BE PROVIDED CONFIRMING ALL MOUNTING HEIGHTS, ORIENTATIONS, & FINISH PRIOR TO RELEASE FOR PRODUCTION.
- ALL POLE TO T-BASE CONNECTING HARDWARE IS TO BE SUPPLIED WITH T-BASES.

TRANSFORMER BASE DATA			
QTY.	TYPE	FINISH COLOR	CONNECTING HARDWARE
7	TB3-17 / M098	BLACK	1.00" X 4.25"
7	TB3-17 / M098	GALVANIZED	1.00" X 4.25"
75	TB1-17 / M093	DARK BRONZE	1.00" X 4.00"

JOB ANNUAL BID PROPOSAL 17-0035
 CITY OF ARLINGTON, TX
 TITLE LIGHTING STRUCTURES

VALMONT INDUSTRIES, INC. RESERVES THE RIGHT TO INSTALL VARIOUS ENGINEER APPROVED, MATERIAL HANGING ACCOMMODATIONS TO FACILITATE THE MANUFACTURING PROCESS.



ORDER NUMBER: 949469-P1
 PAGE NUMBER: 2 OF 2
 DRAWING NUMBER: TX349469P1
 REV: 2

CITY OF ARLINGTON, TEXAS

40FT Double Davit Pole with Base

6/22/21

DATE:	SCALE: NTS	SHEET 2 OF 2
DESIGNED BY:	DRAWN BY:	CHECKED BY: