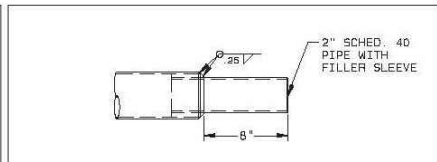


DESIGN INFORMATION

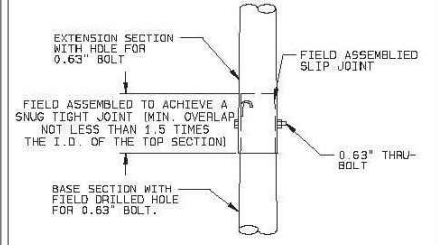
CRITERIA: AASHTO 2001
 WIND VELOCITY: 90 MPH
 RECURRENCE INTERVAL: 50 YEARS
 FIXTURE EPA: 0.90 FT² EA
 FIXTURE WEIGHT: 21 LBS EA

D28-9T

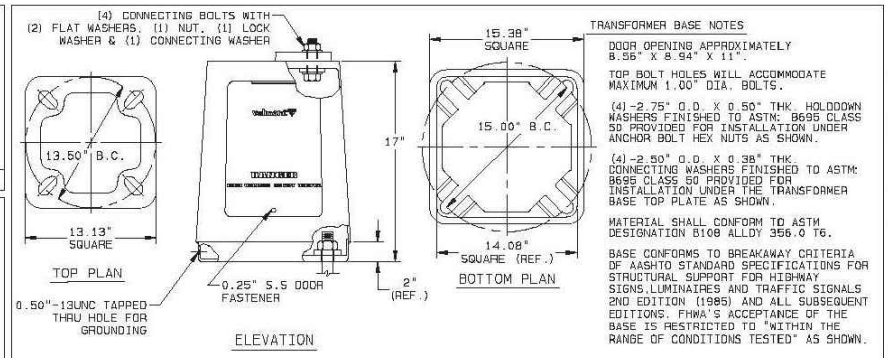
SEE POLE SCHEDULE



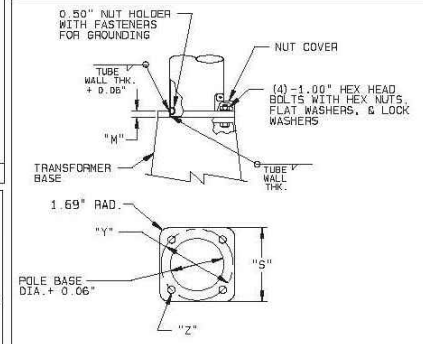
DETAIL 1 ARM END TENON



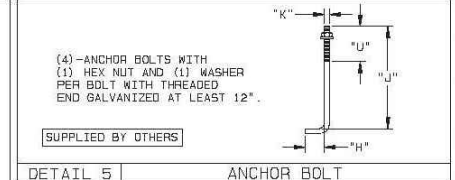
DETAIL 2 DAVIT SLIP JOINT



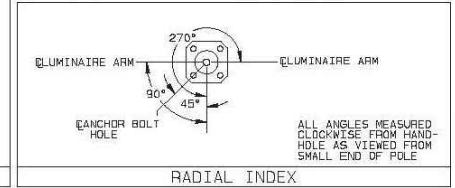
DETAIL 3 TB1-17 / MO93 T-BASE



DETAIL 4 POLE BASE



DETAIL 5 ANCHOR BOLT



RADIAL INDEX

VIBRATION DISCLAIMER
 ALTHOUGH RARE, VIBRATIONS SEVERE ENOUGH TO CAUSE DAMAGE CAN OCCASIONALLY OCCUR IN STRUCTURES OF ALL TYPES. BECAUSE THEY ARE INFLUENCED BY MANY INTERACTING VARIABLES, VIBRATIONS ARE GENERALLY UNPREDICTABLE. THE USER'S MAINTENANCE PROGRAM SHOULD INCLUDE OBSERVATION FOR EXCESSIVE VIBRATION AND EXAMINATION FOR ANY STRUCTURAL DAMAGE OR BOLT LOOSENING. THE VALMONT WARRANTY SPECIFICALLY EXCLUDES FATIGUE FAILURE OR SIMILAR PHENOMENA RESULTING FROM INDUCED VIBRATION, HARMONIC OSCILLATION OR RESONANCE ASSOCIATED WITH MOVEMENT OF AIR CURRENTS AROUND THE PRODUCT.

MATERIAL DATA

COMPONENT	ASTM DESIGNATION	MIN. YIELD (KSI)
POLE BASE	A595 GR. A	55
ARM SHAFT	A595 GR. A	55
BASE PLATE	A36	36
*ANCHOR BOLTS	F1554 GR. 55	55
T-BASE CONN. BD.LTS	A325	--

FINISH DATA

SYSTEM: V-PRO 32 (VP32)
 LIQUID (ALTERNATE)
 BASE COAT: HOT-DIP GALVANIZED TO ASTM A123
 PRIME COAT: POLYAMIDODANINE OR POLYAMIDE EPOXY
 FINISH COAT: ALIPHATIC ACRYLIC POLYURETHANE
 COLOR: BLACK OR DARK BRONZE
 SPEC: F-306KU
 SEE NOTE 1&2

POLE AND ARM DATA

TYPE	QTY.	POLE TUBE			POLE BASE				ANCHOR BOLT				ARM TUBE				
		BASE DIA. (IN)	TOP DIA. (IN)	LENGTH (FT)	GAUGE OR THK. (IN)	SQUARE "S" (IN)	BOLT CIRCLE "X" "Y" (IN)	THK. "M" (IN)	HOLE "Z" (IN)	DIA. "K" (IN)	LENGTH "L" (IN)	HOOK "H" (IN)	THREAD LENGTH "U" (IN)	FIXED END DIA. (IN)	FREE END DIA. (IN)	GAUGE OR THICK. (IN)	LENGTH (FT)
D28-9T																	

**** IMPORTANT NOTE ****

1. WRITTEN CONFIRMATION MUST BE PROVIDED CONFIRMING ALL MOUNTING HEIGHTS, ORIENTATIONS, & FINISH PRIOR TO RELEASE FOR PRODUCTION.
2. BLACK COLOR FINISH COAT IS ONLY TO BE USED IF POLES ARE LOCATED IN THE ENTERTAINMENT DISTRICT OVERLAY OR THE DOWNTOWN OVERLAY.

STREET LIGHT STANDARD - RESIDENTIAL STREETS ONLY

VALMONT INDUSTRIES, INC. RESERVES THE RIGHT TO INSTALL VARIOUS ENGINEER APPROVED, MATERIAL HANGING ACCOMMODATIONS TO FACILITATE THE MANUFACTURING PROCESS.

Valley, NE 68064
 (402) 959-2201

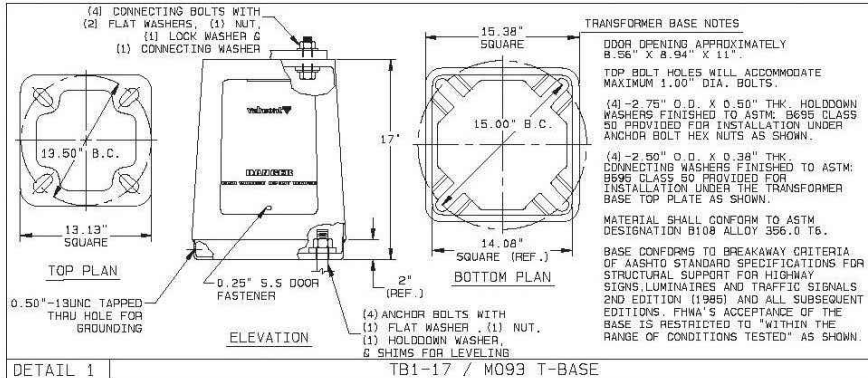
ORDER NUMBER: 1 OF 2
 DRAWING NUMBER: TXTF20180509

WILDCAT ELECTRIC SUPPLY	JOB
TF 05/09/18	TITLE LIGHTING STRUCTURES

CITY OF ARLINGTON, TEXAS

28FT Residential Single Davit Pole with Base

DATE:	SCALE: NTS	SHEET 1 OF 2
DESIGNED BY:	DRAWN BY:	CHECKED BY:



DETAIL 1

TB1-17 / M093 T-BASE

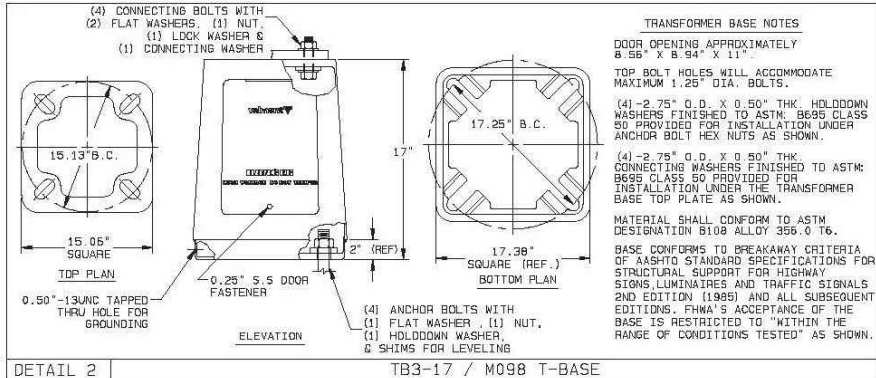
SYSTEM:	FINISH PAINTED (FP)
BASE COAT:	NONE
PRIME COAT:	NONE
FINISH COAT:	TGIC OR URETHANE POLYESTER POWDER
COLOR:	BLACK
SPEC:	F-264A

DOWNTOWN & ENTERTAINMENT DISTRICT OVERLAY ONLY

FINISH DATA

SYSTEM:	FINISH PAINTED (FP)
BASE COAT:	NONE
PRIME COAT:	NONE
FINISH COAT:	TGIC OR URETHANE POLYESTER POWDER
COLOR:	DARK BRONZE
SPEC:	F-264B

FINISH DATA



DETAIL 2

TB3-17 / M098 T-BASE

SYSTEM:	GALVANIZED (GV)
BASE COAT:	HOT-DIP GALVANIZED TO ASTM A123
PRIME COAT:	NONE
FINISH COAT:	NONE
COLOR:	NONE
SPEC:	F-1

FINISH DATA

**** IMPORTANT NOTE ****

- WRITTEN CONFIRMATION MUST BE PROVIDED CONFIRMING ALL MOUNTING HEIGHTS, ORIENTATIONS, & FINISH PRIOR TO RELEASE FOR PRODUCTION.
- ALL POLE TO T-BASE CONNECTING HARDWARE IS TO BE SUPPLIED WITH T-BASES.

TRANSFORMER BASE DATA			
QTY.	TYPE	FINISH COLOR	CONNECTING HARDWARE
7	TB3-17 / M098	BLACK	1.00" X 4.25"
7	TB3-17 / M098	GALVANIZED	1.00" X 4.25"
75	TB1-17 / M093	DARK BRONZE	1.00" X 4.00"

STREET LIGHT STANDARD – RESIDENTIAL STREETS ONLY

JOB	VALMONT INDUSTRIES, INC. RESERVES THE RIGHT TO INSTALL VARIOUS, ENGINEER APPROVED, MATERIAL HANGING ACCOMMODATIONS TO FACILITATE THE MANUFACTURING PROCESS.
TITLE	LIGHTING STRUCTURES

VALMONT INDUSTRIES, INC. RESERVES THE RIGHT TO INSTALL VARIOUS, ENGINEER APPROVED, MATERIAL HANGING ACCOMMODATIONS TO FACILITATE THE MANUFACTURING PROCESS.



ORDER NUMBER:	
PAGE NUMBER:	2 OF 2
DRAWING NUMBER:	TXTF20180509
REV	

CITY OF ARLINGTON, TEXAS		
28FT Residential Single Davit Pole with Base		
DATE:	SCALE: NTS	SHEET 2 OF 2
DESIGNED BY:	DRAWN BY:	CHECKED BY: